

New Jersey Semi-Conductor Products, Inc.

20 STERN AVE.
 SPRINGFIELD, NEW JERSEY 07081
 U.S.A.

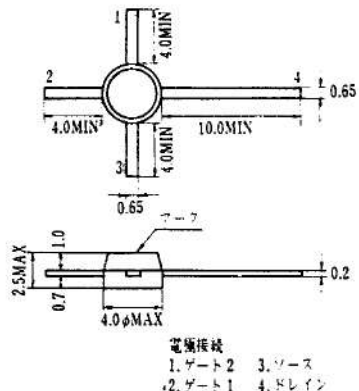
TELEPHONE: (201) 376-2922
 (212) 227-6005
 FAX: (201) 376-8960

■ Characteristics for FPAK Transistors

| Function | Absolute Maximum Ratings | | | | | Electrical Characteristics | | | | | | | Outline |
|----------------|--------------------------|-----------------------------------|------------------------------------|------------------------------------|-------------------------------|----------------------------|-----------------|-----------------|--------------------|------------------|-------------------|------------------------------------------|---------------------------------------------------------------|
| | Type No. | V_{CB0} (V_{DSX}) (V) | V_{CE0} (V_{G1SS}) (V) | V_{EB0} (V_{G2SS}) (V) | P_C (P_{CA}) (mW) | PG (dB) | NF (dB) | f_T (MHz) | $ y_{fs} $ (mS) | C_{ob} (pF) | C_{iss} (pF) | Remarks | |
| UHF Tuner | RF | 2SC2464 | 30 | 25 | 4 | 200 | $\geq 14^*$ | $\leq 6.0^*$ | ≥ 750 | — | ≤ 0.8 | — | $NF = 4.0\text{dB typ}$ |
| | | 3SK80 | (20) | (± 8) | (± 8) | (200) | $\geq 10^*$ | $\leq 6.0^*$ | — | ≥ 7 | — | ≤ 5.0 | $C_{iss} = 2.0\text{pF typ}$ |
| | | 3SK82 | (15) | (± 8) | (± 8) | (200) | $\geq 10^*$ | $\leq 5.5^*$ | — | ≥ 13 | — | ≤ 5.0 | $C_{iss} = 2.8\text{pF typ}$ |
| | | 3SK95 | (15) | (± 10) | (± 10) | (200) | $\geq 10^*$ | $\leq 5.5^*$ | — | ≥ 14 | — | 2.8typ | $NF = 3.5\text{dB typ}$ |
| | Mixer | 2SC2466 | 30 | 20 | 3 | 200 | $\geq 14^*$ | — | ≥ 1500 | — | ≤ 1.0 | — | $CG = 13\text{dB typ}$ |
| | | 2SC2731 | 20 | 11 | 3 | 200 | — | 9.5typ* | ≥ 2000 | — | ≤ 1.5 | — | $CG \geq 12\text{dB (900MHz)}$ $f_T = 3500\text{MHz typ}$ |
| | | 2SC2728 | 15 | 10 | 3 | 200 | — | 6.0typ* | ≥ 1500 | — | ≤ 1.5 | — | $CG \geq 10\text{dB (900MHz)}$ $f_T = 2500\text{MHz typ}$ |
| | Oscillator | 2SC2468 | 30 | 20 | 3 | 200 | — | — | ≥ 900 | — | ≤ 1.5 | — | $I_a = 2.5\text{mA typ}$ (930MHz) |
| | | 2SC2730 | 15 | 10 | 3 | 200 | — | — | ≥ 1200 | — | ≤ 1.5 | — | $V_{osc} = 32\text{mV typ}$ (930MHz) |
| VHF Tuner | RF | 2SC2465 | 20 | 20 | 3 | 200 | 18~27** | $\geq 3.2^{**}$ | ≥ 400 | — | — | — | $C_{ob} < 0.45\text{pF}$ $V_{AGE} = 4.3 \sim 5.6\text{V}$ |
| | | 2SC2727 | 15 | 12 | 3 | 200 | 18~30** | $< 3.2^{**}$ | ≥ 700 | — | — | — | $C_{ob} < 0.45\text{pF}$ $V_{AGE} = 2.5 \sim 3.5\text{V}$ |
| | | 3SK81 | (20) | (± 8) | (± 8) | (200) | $\geq 17^{**}$ | $< 3.3^{**}$ | — | > 8 | — | 5.0typ | |
| | | 3SK83 | (15) | (± 8) | (± 8) | (200) | $\geq 20^{**}$ | $< 3.0^{**}$ | — | > 13 | — | ≤ 5.0 | $C_{iss} = 2.8\text{pF typ}$ |
| | | 3SK96 | (15) | (± 8) | (± 8) | (200) | $\geq 22^{**}$ | $< 3.0^{**}$ | — | > 15 | — | 4.5typ | |
| | Mixer | 2SC2467 | 30 | 20 | 3 | 200 | — | $< 5.5^{**}$ | > 600 | — | — | — | $CG \geq 16\text{dB (200MHz)}$ $C_{ob} \leq 0.45\text{pF}$ |
| | | 2SC2729 | 15 | 10 | 3 | 200 | — | $\leq 5.5^{**}$ | > 800 | — | — | — | $CG \geq 16\text{dB (200MHz)}$ $C_{ob} \leq 0.5\text{pF}$ |
| Oscillator | 2SC2469 | 30 | 20 | 3 | 200 | — | — | ≥ 600 | — | ≤ 1.5 | — | $V_{osc} = 500\text{mV typ}$ (300MHz) | |
| Wide Band Amp. | UHF | 2SC2731 | 20 | 11 | 3 | 200 | — | — | ≥ 2000 | — | ≤ 1.5 | — | $f_T = 3500\text{MHz typ}$ |
| | VHF | 2SC2470 | 30 | 20 | 3 | 200 | $\geq 12^{***}$ | $\leq 5.0^{**}$ | ≥ 1500 | — | ≤ 1.5 | — | $f_T = 2500\text{MHz typ}$ |

T-21

* $f = 900\text{MHz}$, ** $f = 200\text{MHz}$, *** $f = 50\text{M} \sim 250\text{MHz}$



T-21
 FPAK

